

XSDF fast open-close fountain submersible solenoid valve

Internal structure & profile size figure



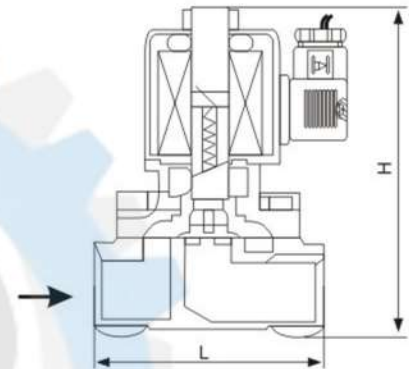
XSDF-25



XSDF-40



XSDF-65F



Product features

- Suitable medium: water
- Medium temp.: -5°C- 80°C
- Working pressure: 0 ~6 bar
- Valve body material: brass(forged),stainless steel(precision casting), cast iron
- Life :200000 times
- Lead wire length of coil: 1m, if need longer please specify when ordering.

Applications

- It is designed specially for solenoid valve to work under water,coil is sealed by special material, reliable and safe,the valve can be opened rapidly, it is very suitable for water control of musical fountain,run fountain and jump fountain.

Technology data

Model	Connecting Method	Diameter	Cv value	Length (mm)	Height (mm)	Valve body material	Working pressure (pressure differential)	Rated voltage
XSDF-15	G1/2"	15	4	64	112	Brass	0~6 bar	220VAC/50HZ 110VAC/50HZ 26VA~36VA DC24 DC12 13W~30W
XSDF-20	G3/4"	20	7	65	118			
XSDF-25	G1"	25	11	85	130			
XSDF-32	G1 1/4"	32	14	95/110	145/160			
XSDF-40	G1 1/2"	40	24	110/112	160/165			
XSDF-50	G2"	50	30	118/155	75/190			
XSDF-65F	4-φ17.5 aperture φ145	65	50	256	335	Cast iron	0.5~6 bar	Tolerance: ± 10% Other voltage can be customized
XSDF-80F	4-φ17.5 aperture φ160	80	80	275	360			
XSDF-100F	8-φ17.5 aperture φ180	100	125	350	375			
XSDF-125F	8-φ17.5 aperture φ210	125	220	400	460			
XSDF-150F	8-φ22 aperture φ240	150	280	450	480	SS 304		
XSDF-65FS	4-φ17.5 aperture φ145	65	50	250	340			
XSDF-80FS	4-φ17.5 aperture φ160	80	80	275	360			
XSDF-100FS	8-φ17.5 aperture φ180	100	125	340	380			